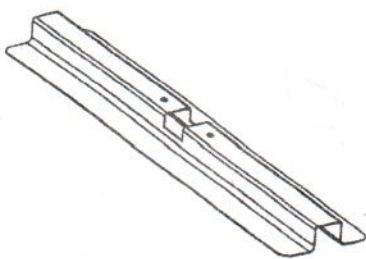
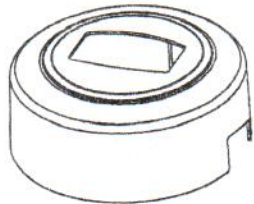
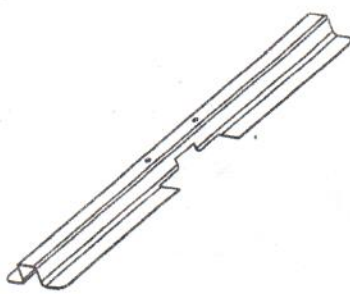
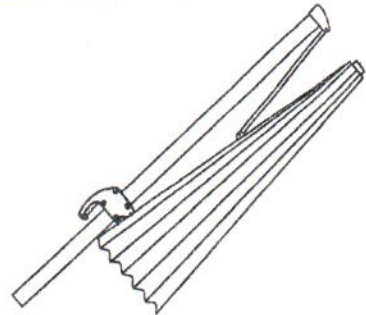
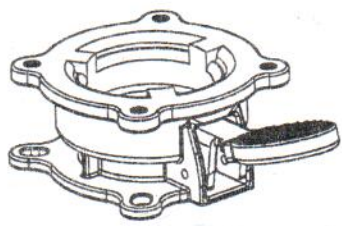
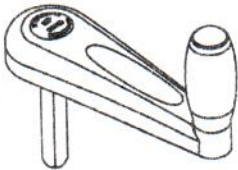


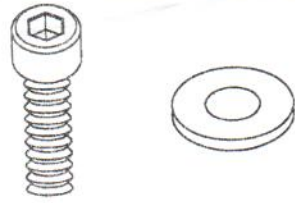

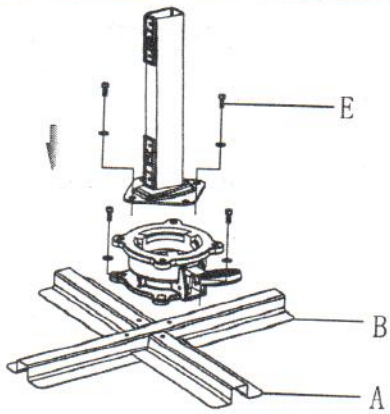


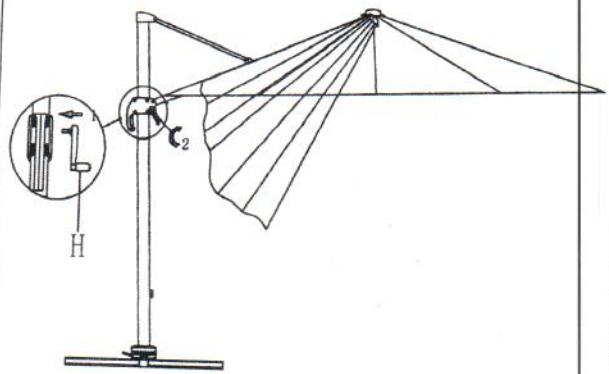
PART	PICTURE	QTY	PART	PICTURE	QTY
A		1	F		1
B		1	G		1
C		1	H		1
D		1	I		1
E	 <p data-bbox="367 1971 494 2038">(M10)</p>	8	J		1

Cantilever Umbrella

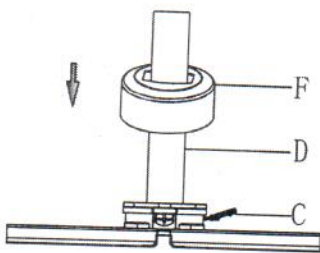
1



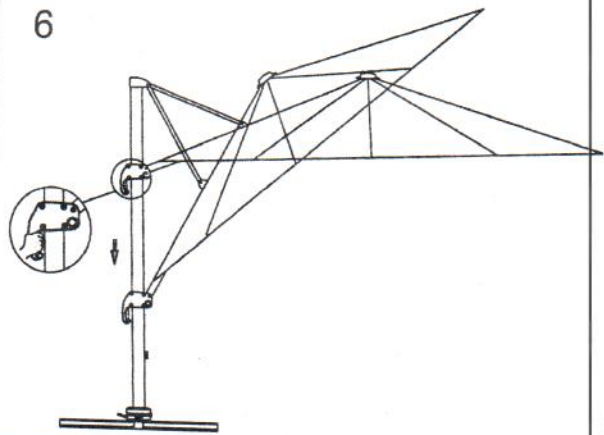
5



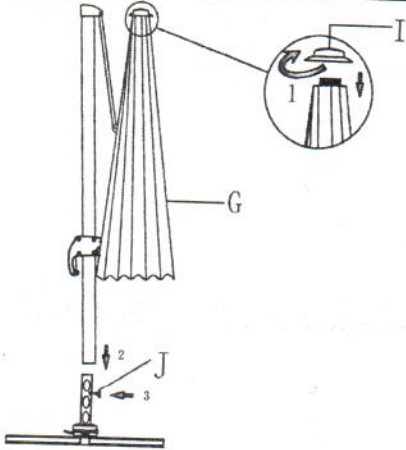
2



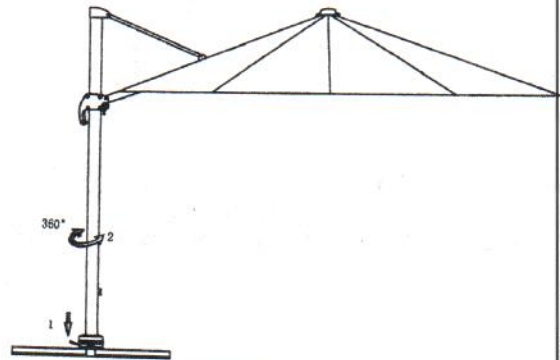
6



3



7



4

